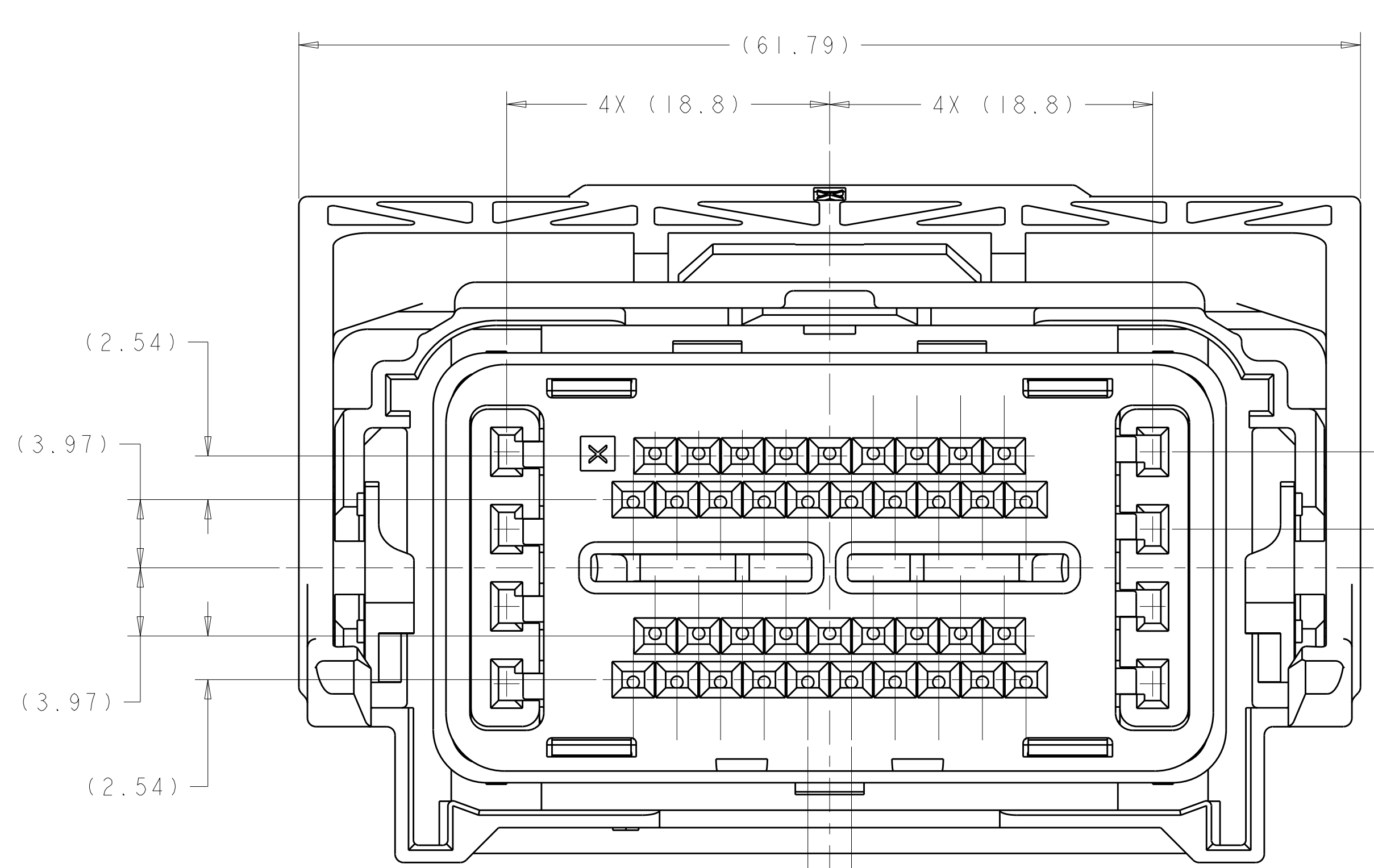
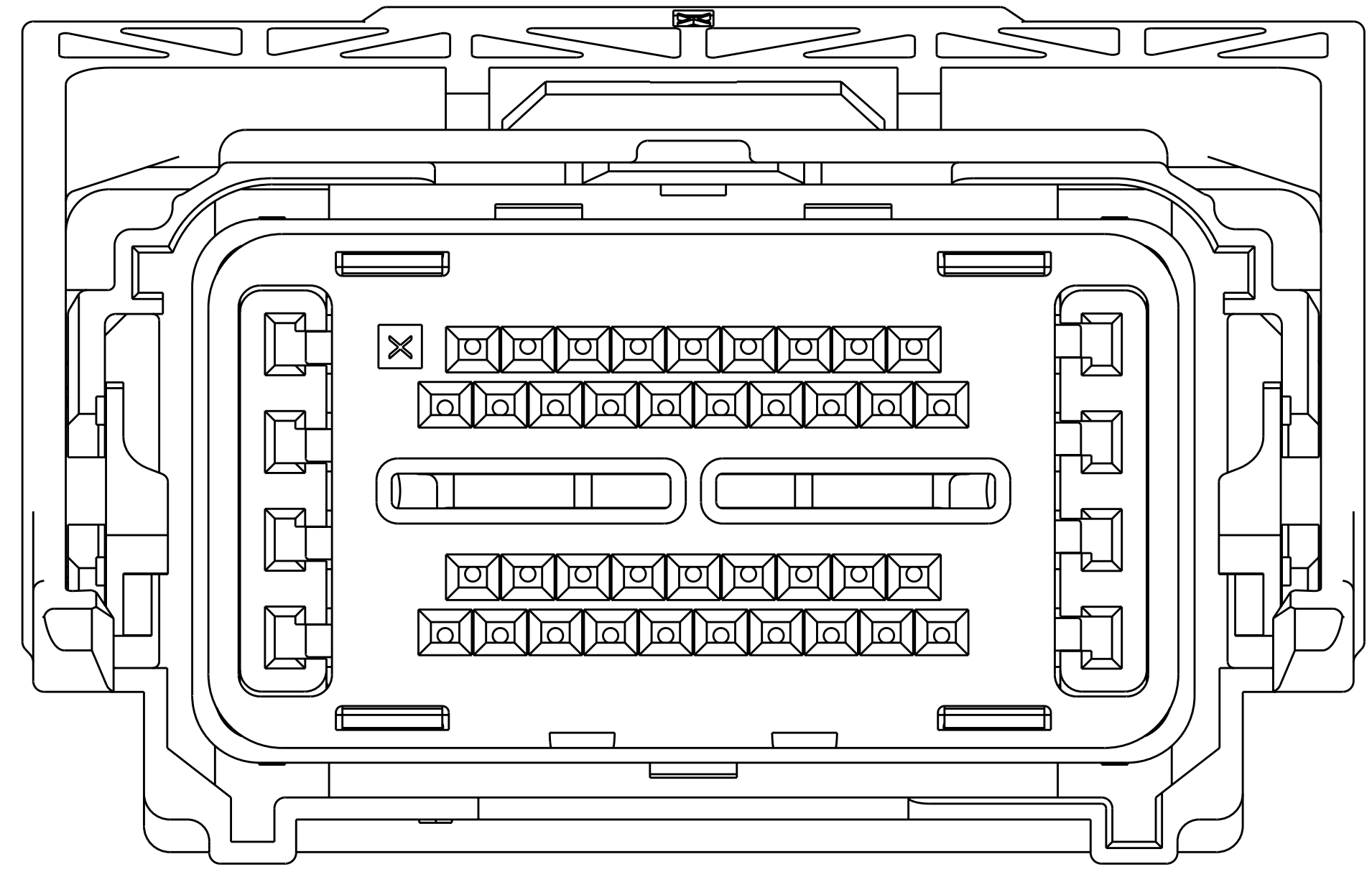


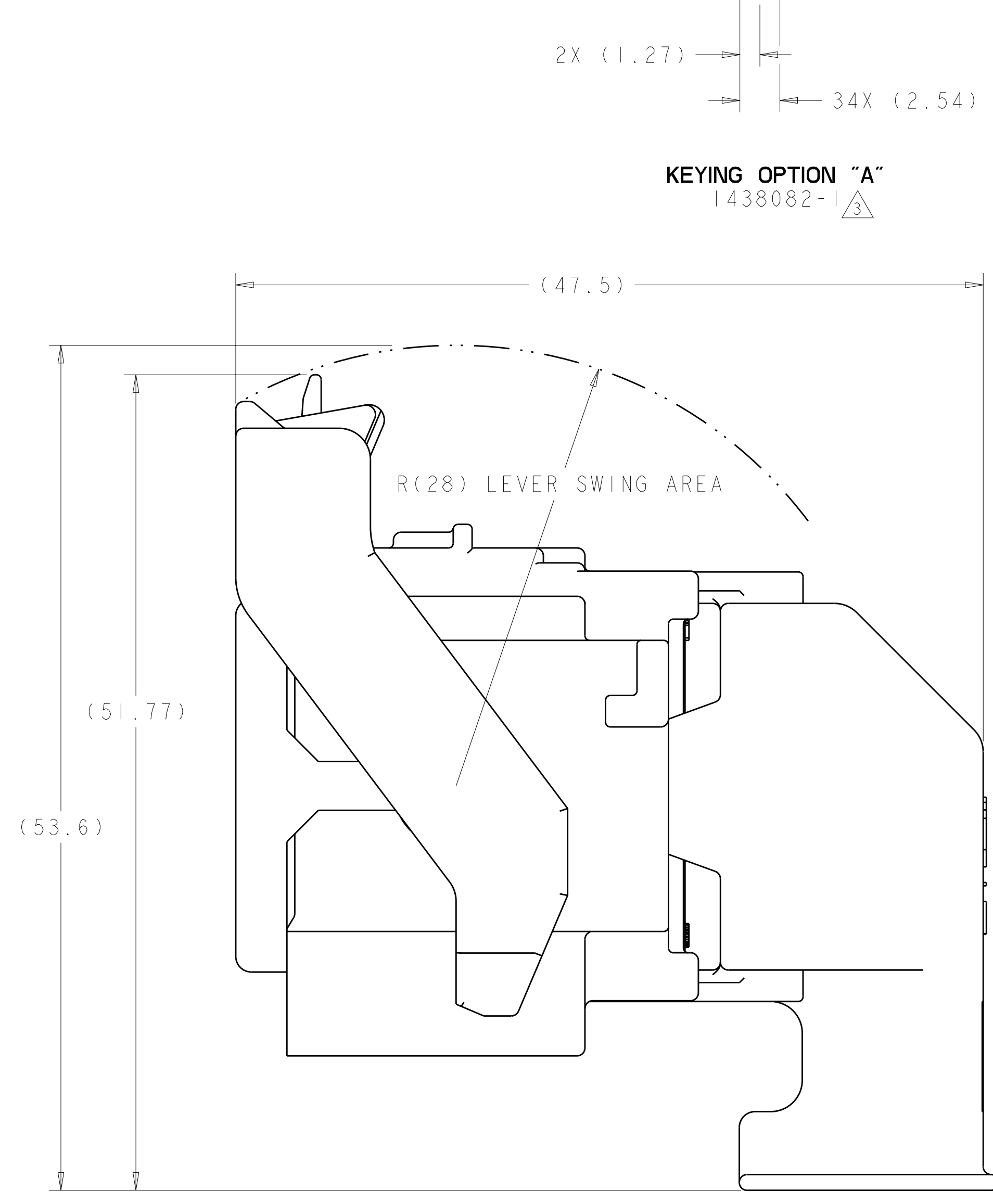
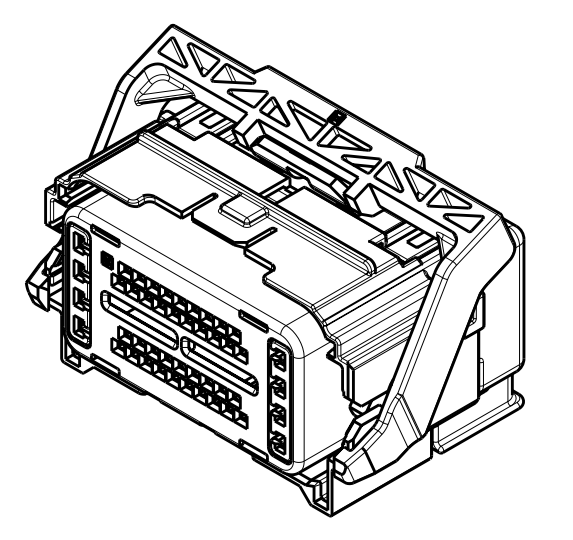
| REV | DATE      | DESCRIPTION               | DATE | BY  | APP'D |
|-----|-----------|---------------------------|------|-----|-------|
| S10 | 23APR2009 | REVISED PER ECO-09-009758 |      | DLD | DCM   |
| S11 | 29DEC2009 | REVISED PER ECO-09-028550 |      | DLD | DCM   |



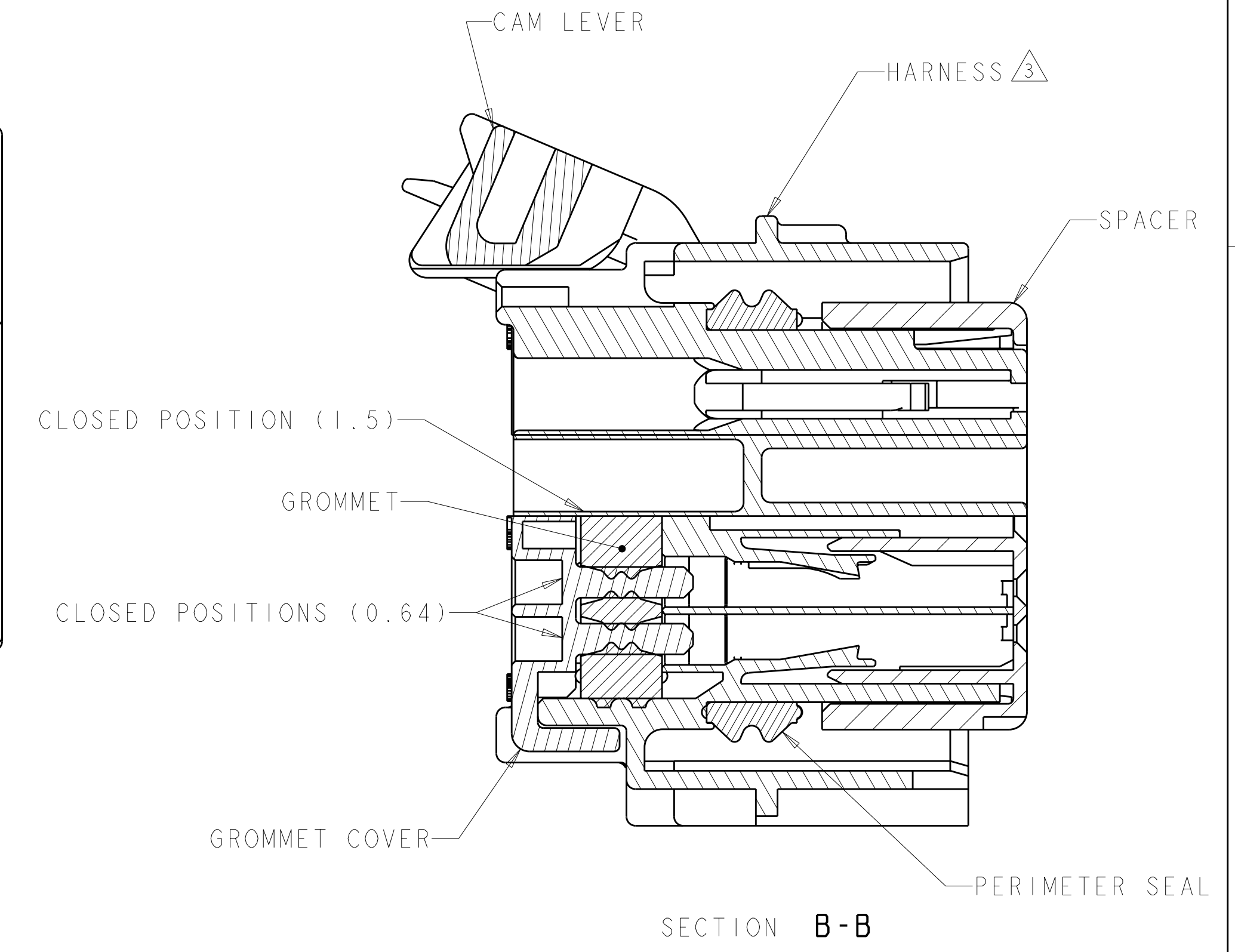
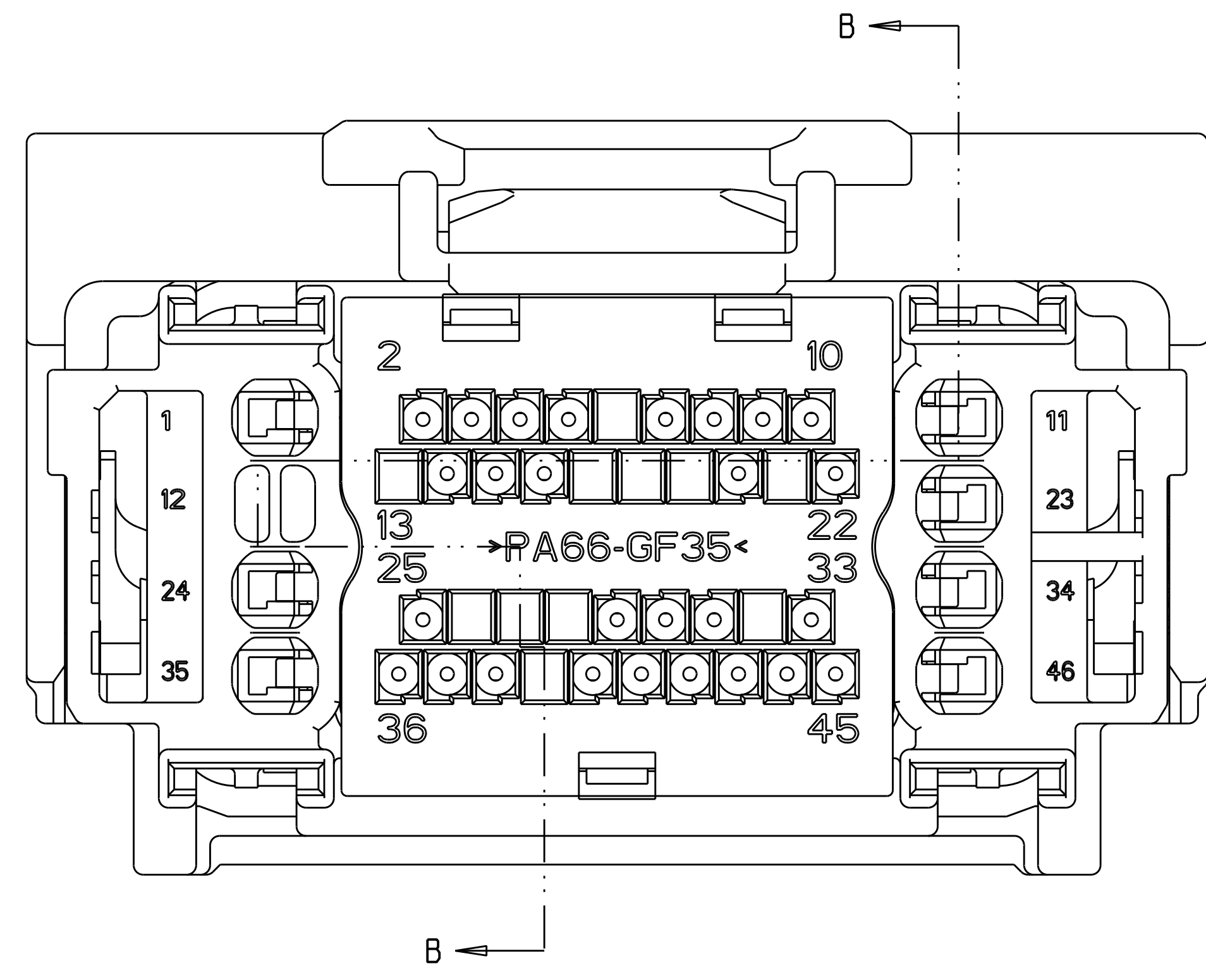
KEYING OPTION "A"  
1438082-1



KEYING OPTION "B"  
1438082-2



SHOWN WITH CAM LEVER AND SPACER  
IN LOADED POSITION WITH  
OPTIONAL WIRESHIELD



- △ MATERIAL:  
 HARNESS - 35% GLASS FILLED PA66, BLACK  
 ALT MAT'L: HARNESS - 30% GLASS FILLED sPS, BLACK  
 SPACER - 40% GLASS FILLED PPS+PA66, RED  
 ALT MAT'L: 30% GLASS FILLED sPS, RED  
 ALT MAT'L: 35% GLASS FILLED PA66, RED  
 COVER - 35% GLASS FILLED PA66, BLACK  
 ALT MAT'L: COVER - 30% GLASS FILLED LCP, BLACK  
 CAM LEVER - 35% GLASS FILLED NYLON, GRAY  
 GROMMET - SILICONE, BROWN  
 PERIMETER SEAL - SILICONE, GREEN

2. CAM LEVER AND SPACER ARE SHIPPED IN PRE-LATCH POSITION.  
 △ SEE PINOUT CHART ON SHEETS 2, 3 AND 4 FOR CLOSED CIRCUIT CONFIGURATIONS.  
 △ CAVITIES WITH A NUMERIC SYMBOL INDICATES CLOSED TERMINAL LOCATIONS.  
 BLANK CAVITIES INDICATE OPEN TERMINAL HOLE LOCATIONS.

SEE PINOUT CHARTS  
PART NUMBER

|                    |  |  |  |  |  |  |  |               |  |
|--------------------|--|--|--|--|--|--|--|---------------|--|
| DIMENSIONS: mm<br> |  | TOLERANCES UNLESS OTHERWISE SPECIFIED:<br>9 PLC ±<br>1 PLC ±0.3<br>3 PLC ±0.10<br>4 PLC ±<br>ANGLES ±° |  | DWN R. VESTAL 01AUG2003<br>CHK D. STRAUSSER 01AUG2003<br>APVD D. STRAUSSER 01AUG2003<br>PRODUCT SPEC<br>APPLICATION SPEC<br>WEIGHT<br>CUSTOMER DRAWING |  | Tyco Electronics<br>Harrisburg, PA 17105-3608<br>NAME: 46 WAY PCM CONNECTOR HARNESS ASSEMBLY<br>SIZE: 00779 C=1438082<br>SCALE: 4:1 SHEET 1 OF 5 |  | RESTRICTED TO |  |
|--------------------|--|--|--|--|--|--|--|---------------|--|




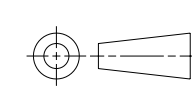


THIS DRAWING IS UNPUBLISHED. RELEASED FOR PUBLICATION 20  
 © COPYRIGHT 20 BY TYCO ELECTRONICS CORPORATION. ALL RIGHTS RESERVED.

| LOC | DIST | REV | DATE | BY | APPD |
|-----|------|-----|------|----|------|
| FX  | 00   |     |      |    |      |
|     |      |     |      |    |      |
|     |      |     |      |    |      |

| TERMINAL HOLE POSITION |          | PART NUMBER | FORD PART NUMBER |                      |                      |                      |                    |     |             |                    |                    |
|------------------------|----------|-------------|------------------|----------------------|----------------------|----------------------|--------------------|-----|-------------|--------------------|--------------------|
| 44                     | 43 42 41 | 38          | 26               | 7 5                  | 9-1438082-9          | 2LIT-14A464-TD-044   |                    |     |             |                    |                    |
| 44                     |          | 38          | 26               | 7                    | 9-1438082-8          | 2LIT-14A464-TD-043   |                    |     |             |                    |                    |
|                        | 40 39 38 | 35 34       |                  | 24 21 18 16 15 13 12 | 9 8 7 5              | 9-1438082-2          | 2LIT-14A464-TD-042 |     |             |                    |                    |
| 46                     | 43 42    | 40          | 35 34            | 31 28                | 24 21 19             | 12 9                 | 5 4                | 1   | 8-1438082-2 | 2LIT-14A464-TD-041 |                    |
|                        |          | 40 39 38    | 35 34            |                      | 24 21 18 16 15 13 12 |                      | 8 7 5              |     | 8-1438082-1 | 2LIT-14A464-TD-040 |                    |
|                        |          |             | 35               |                      | 27                   |                      | 9                  | 6 3 |             | 7-1438082-7        | 2LIT-14A464-TD-039 |
|                        | 43 42    | 39 38 37    |                  | 32                   | 28                   | 19 18 17 16          | 10 9               |     |             | 7-1438082-6        | 2LIT-14A464-TD-038 |
|                        | 43 42    | 40          | 35               |                      | 28                   | 24 21 19             | 12                 | 5 4 | 1           | 7-1438082-2        | 2LIT-14A464-TD-037 |
|                        | 43 42    |             | 35               |                      | 24 21 19             | 12                   |                    | 5 4 | 1           | 7-1438082-1        | 2LIT-14A464-TD-036 |
|                        | 43 42    | 39 38 37    |                  | 28                   |                      | 19 18 17 16          | 13 10 9            |     |             | 7-1438082-0        | 2LIT-14A464-TD-035 |
|                        | 43 42    | 39 38 37    |                  | 28                   |                      | 19 18 17 16          | 10 9               |     |             | 6-1438082-9        | 2LIT-14A464-TD-034 |
| 44                     | 42       | 38          |                  |                      | 26                   |                      |                    | 7   |             | 6-1438082-8        | 2LIT-14A464-TD-033 |
|                        | 43 42    | 39 38 37    |                  | 32                   | 28                   | 19 18 17 16          | 13 10 9            |     |             | 6-1438082-7        | 2LIT-14A464-TD-032 |
| 44                     | 42       | 38          |                  |                      | 27 26                | 22                   |                    |     |             | 6-1438082-5        | 2LIT-14A464-TD-031 |
| 44                     | 42       | 38          |                  |                      | 26                   |                      |                    |     |             | 6-1438082-4        | 2LIT-14A464-TD-030 |
|                        | 43 42    | 38 37       |                  | 32                   |                      | 19 18 17 16          | 10 9               |     |             | 6-1438082-0        | 2LIT-14A464-TD-029 |
|                        | 43 42    | 39 38 37    |                  | 32                   |                      | 19 18 17 16          | 13 10 9            |     |             | 5-1438082-9        | 2LIT-14A464-TD-028 |
|                        | 43 42    | 38 37       |                  | 32                   |                      | 19 18 17 16          | 10 9               |     |             | 5-1438082-8        | 2LIT-14A464-TD-027 |
|                        | 43 42    | 39 38       |                  | 28                   |                      | 19 18 17 16          | 10 9               |     |             | 5-1438082-7        | 2LIT-14A464-TD-026 |
| 46 45                  | 43       |             | 34 33 32 31      | 27                   | 22 21 20             | 19 18 16 15 14 13 12 | 10 9 8 7           |     | 1           | 5-1438082-4        | 2LIT-14A464-TD-025 |
|                        | 44       | 42          | 38               |                      |                      |                      |                    |     | 3           | 5-1438082-3        | 2LIT-14A464-TD-024 |
|                        |          | 40 39       | 35 34            |                      |                      | 21 18 16 15 13       | 9 8 7              |     |             | 5-1438082-1        | 2LIT-14A464-TD-023 |
| 46 45                  | 44 43    | 41 40       | 34 33 32 31      | 29 27                | 22 21 20             | 19 18 16 15 14 13 12 | 10 9 8 7           |     | 1           | 4-1438082-6        | 2LIT-14A464-TD-022 |
|                        | 44       | 42          | 38               |                      | 30 27 26             | 22                   |                    |     |             | 4-1438082-5        | 2LIT-14A464-TD-021 |
|                        | 44       | 42          | 38               |                      | 30                   |                      |                    |     | 3           | 4-1438082-4        | 2LIT-14A464-TD-020 |
|                        | 44       | 42          | 38               |                      | 30                   | 26                   |                    |     |             | 4-1438082-3        | 2LIT-14A464-TD-019 |
| 46 45                  | 43       |             | 34 33 32 31      | 27                   | 21 20 19 18          | 16 15 14 13 12       | 10 9 8 7           |     | 1           | 4-1438082-1        | 2LIT-14A464-TD-018 |
|                        |          | 40 39       | 35 34            |                      |                      | 21 18 16 15 13       | 9 8 7 5            |     |             | 3-1438082-9        | 2LIT-14A464-TD-017 |
|                        | 44       | 42          | 38 37            |                      | 30 27 26             | 22                   |                    | 9   |             | 2-1438082-8        | 2LIT-14A464-TD-016 |
|                        | 44       | 42          | 38 37            |                      | 30                   |                      |                    | 9   |             | 2-1438082-7        | 2LIT-14A464-TD-015 |
|                        | 44       | 42          | 38 37            |                      | 30                   | 26                   |                    | 9   |             | 2-1438082-6        | 2LIT-14A464-TD-014 |
|                        | 43 42    | 39 38 37    |                  | 33 32                | 28 27 26             | 22 21 20 19 18 17 16 | 13 10              |     |             | 2-1438082-4        | 2LIT-14A464-TD-013 |
| 46 45                  | 44 43    |             | 34 33 32 31      | 27                   | 22 21 20 19 18       | 15 14 13 12          | 10 9 8 7           |     | 1           | 2-1438082-1        | 2LIT-14A464-TD-012 |
| 46 45                  | 44 43    |             | 34 33 32 31      | 27                   | 22 21 20 19 18       | 16 15 14 13 12       | 10 9 8 7           |     | 1           | 2-1438082-0        | 2LIT-14A464-TD-011 |
|                        | 43 42    | 39 38 37    |                  | 28                   |                      | 19 18 17 16          | 10                 |     |             | 1-1438082-7        | 2LIT-14A464-TD-010 |
|                        | 43 42    | 39 38 37    |                  | 32                   | 28 27 26             | 21 20 19 18 17 16    | 13 10              |     |             | 1-1438082-6        | 2LIT-14A464-TD-009 |
|                        | 43 42    | 39 38 37    |                  | 32                   | 28                   | 19 18 17 16          | 13 10              |     |             | 1-1438082-5        | 2LIT-14A464-TD-008 |
|                        | 43 42    | 38 37       |                  | 32                   |                      | 19 18 17 16          | 10                 |     |             | 1-1438082-4        | 2LIT-14A464-TD-007 |
| 46 45                  | 44 43    |             | 34 33 32 31      | 27                   | 22 21 20 19 18       | 15 14 13 12          | 10 9 8 7           |     | 1           | 1-1438082-3        | 2LIT-14A464-TD-006 |
| 46 45                  | 44 43    |             | 34 33 32 31      | 27                   | 22 21 20 19 18       | 16 15 14 13 12       | 10 9 8 7           |     | 1           | 1-1438082-2        | 2LIT-14A464-TD-005 |
|                        | 43 42    | 39 38       |                  | 28                   |                      | 18 17 16             | 10                 |     |             | 1438082-9          | 2LIT-14A464-TD-004 |
|                        |          |             | 32               |                      |                      |                      |                    |     |             | 1438082-8          | 2LIT-14A464-TD-003 |
|                        |          |             | 34 33 32 31      | 27                   | 22 21 20 19 18       | 16 15 14 13 12       | 10 9 8 7           |     | 1           | 1438082-7          | 2LIT-14A464-TD-002 |
|                        |          |             | 34 33 32 31      | 27                   | 22 21 20 19 18       | 15 14 13 12          | 10 9 8 7           |     | 1           | 1-1438082-0        | 2LIT-14A464-TD-001 |
|                        |          |             |                  |                      |                      |                      |                    |     |             | 1438082-2          | 2LIT-14A464-TD-000 |

PIN-OUT CHART KEYING OPTION "B" 

|   |   |  |   |
|---|---|--|---|
| <small>THIS DRAWING IS UNPUBLISHED. RELEASED FOR PUBLICATION 20. © COPYRIGHT 20 BY TYCO ELECTRONICS CORPORATION. ALL RIGHTS RESERVED.</small> |   | DWN R. VESTAL 01AUG2003<br>CHK D. STRAUSSER 01AUG2003<br>APVD D. STRAUSSER 01AUG2003 |  Tyco Electronics<br>Harrisburg, PA 17105-3608 |
| DIMENSIONS:<br>mm<br>                                    | TOLERANCES UNLESS OTHERWISE SPECIFIED:<br>9 PLC ±.3<br>1 PLC ±0.10<br>5 PLC ±.<br>4 PLC ±.<br>ANGLES ±° | NAME<br>PRODUCT SPEC<br>APPLICATION SPEC<br>WEIGHT<br>CUSTOMER DRAWING               | SIZE CAGE CODE DRAWING NO<br>A 00779 C=1438082<br>SCALE 4:1 SHEET 4 OF 5  |

